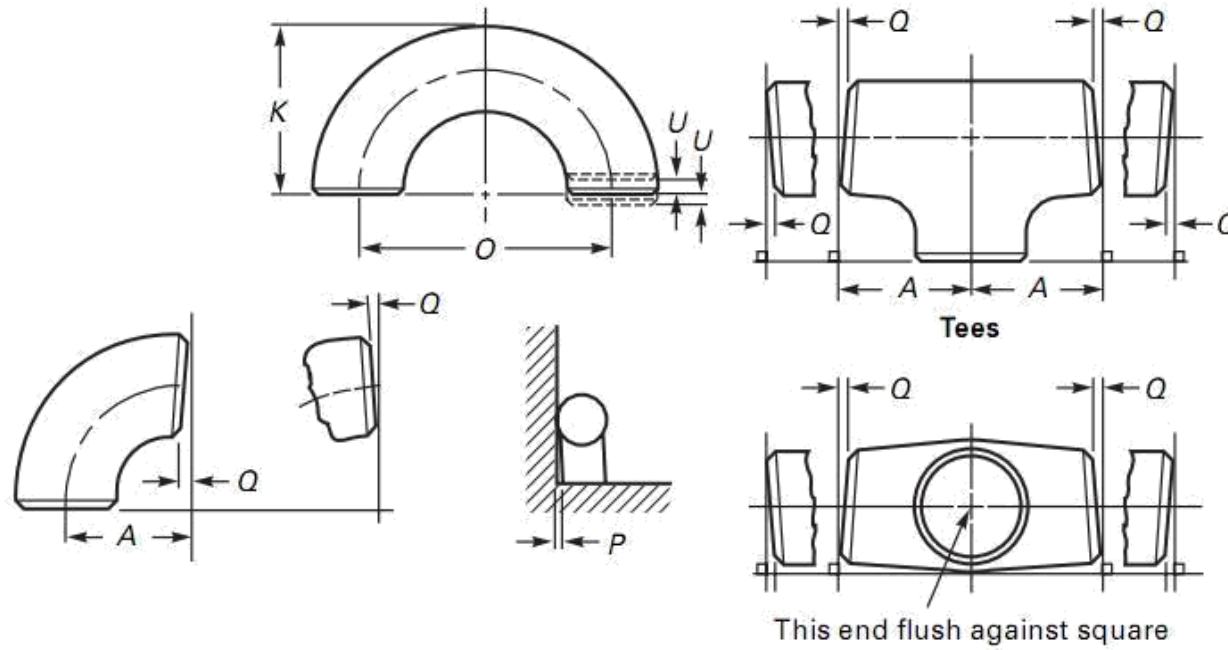


Tolerance of BW fittings



All Fittings[Note(1) and (2)]				Center-to-End Dimensions		Overall Length of Reducers and Lap Joint Stub Ends,F,H	Overall Length of Caps, E	180-deg Returns			Center-to-End Dimensions			Nominal Pipe Size(NPS)	DN	Angularity Tolerance	
Nominal Pipe Size(NPS)	DN	Outside Diameter at Bevel,D[Note(3) and (4)]	Inside Diameter at End [Note(3) and (5)]	90-deg and 45-deg Long and Short Radius Elbows and Tees. A,B,C,M	3D Radius Elbows, A,B			Center-to-Center Dimension, O	Back-to-Face Dimension, K	Alignment of Ends, U	Outside Diameter of Lap,G	Fillet Radius of Lap,R	Lap Thickness			Off Angle,Q	Off Plane,P
1/2to2 1/2	15-65	+1.6-0.8	0.8	2	3	2	3	6	6	1	+0,-1	+0,-1	+1.6,-0	1/2to4	15-100	1	2
3to3 1/2	80-90	1.6	1.6	2	3	2	3	6	6	1	+0,-1	+0,-1	+1.6,-0	5to8	125-200	2	4
4	100	1.6	1.6	2	3	2	3	6	6	1	+0,-1	+0,-2	+1.6,-0	10to12	250-300	3	5
5to8	125-200	+2.4 -1.6	1.6	2	3	2	6	6	6	1	+0,-1	+0,-2	+1.6,-0	14to16	350-400	3	6
10to18	250-450	+4.0 -3.2	3.2	2	3	2	6	10	6	2	+0,-2	+0,-2	+3.2,-0	18to24	450-600	4	10
20to24	500-600	+6.4 -4.8	4.8	2	3	2	6	10	6	2	+0,-2	+0,-2	+3.2,-0	26to30	650-750	5	10
26to30	650-750	+6.4 -4.8	4.8	3	6	5	10	32to42	800-1050	5	13
32to48	800-1200	+6.4 -4.8	4.8	5	6	5	10	44to48	1100-1200	5	19

GENERAL NOTES:

- (a)All dimensions are in mm.
- (b)Tolerances are equal plus and minus except as noted.

NOTES:

- (1)The inside diameter and the nominal wall thickness at ends are to be specified by the purchaser.
- (2)A minimum wall thickness of 87.5% applies unless the purchaser specifies a different wall thickness toletance.
- (3)Out-of-round is the sum of absolute values of plus and minus tolerances.